

## Installation Instructions for Mid-Town™ LED Recessed Light

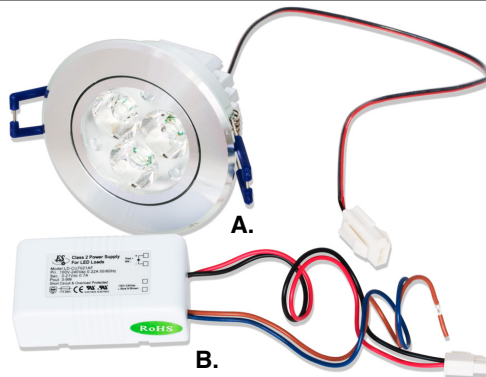
### Warning: Fire / Electrical Hazard

This equipment is intended to be installed only by qualified personnel. The installation must be done in accordance with the current edition of the National Electrical Code and all applicable state and local building codes. The final installation must be approved by the appropriate, qualified electrical / building inspector(s). Improper installation may result in a fire or electrical hazard. Be sure the electrical power to the circuit has been disconnected before installing this electrical system.

### Important Notes on Clearances

1/2" (13mm) clearance must be maintained from any above surface or side wall structures, 1" (26mm) from any surrounding fixtures.

### Included Items



A. Mid-Town™ LED recessed light unit  
B. LED driver (constant current power supply)

## Installation Procedures

Figure 1

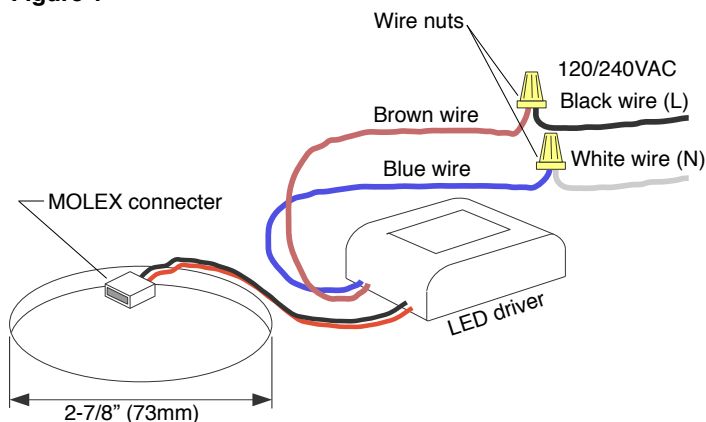
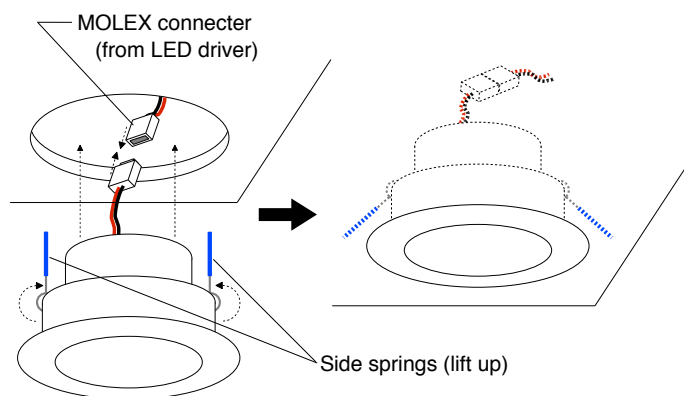


Figure 2



**Warning: Do not connect Mid-Town™ LED fixture to low-voltage transformer. It will destroy the LEDs instantly! Use only the included LED driver.**

1. Make sure that power wires are not connected at this time. Make sure that the white wire is set as neutral, and the black wire is set as hot.
2. Using a hole cutting device, drill a hole for each fixture where desired using the cutout dimensions shown. (Figure 1)
3. Mount remote LED driver in desired location. Make sure that MOLEX connector on the LED driver is accessible from the hole, from the bottom. (Figure 1)
4. Use twist-on wire connector (wire-nut) to connect:
  - Brown LED driver wire to the black power wire (line)
  - Blue LED driver wire to the white power wire (neutral)
 (Figure 1)
5. From the cavity, plug in the LED fixture to the LED driver. (Figure 2)
6. Insert the LED fixture into the ceiling/cabinet opening by pressing the two side springs up against the body of the LED fixture, inserting the housing into the cavity enough to clear the top edge of the springs, then pressing upward until the springs secure the bottom trim flange against the ceiling. (Figure 2)
7. Restore the electricity to the LED driver (i.e. turn on the switch.)

## Installation Instructions for Mid-Town™ LED Recessed Light

### Connecting more than one unit in the same circuit (optional)

Figure 3

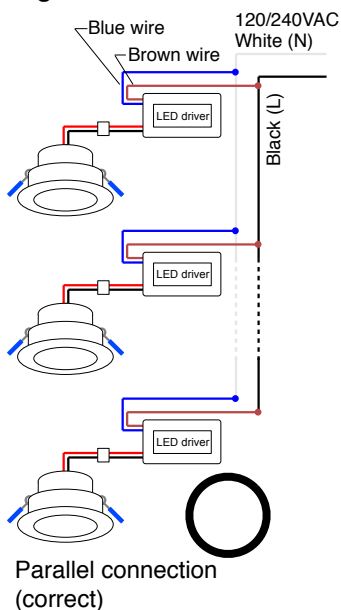
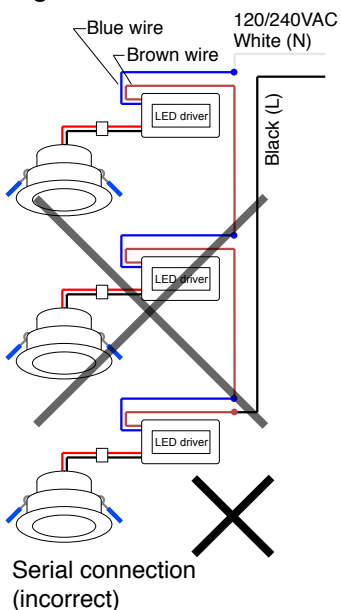


Figure 4



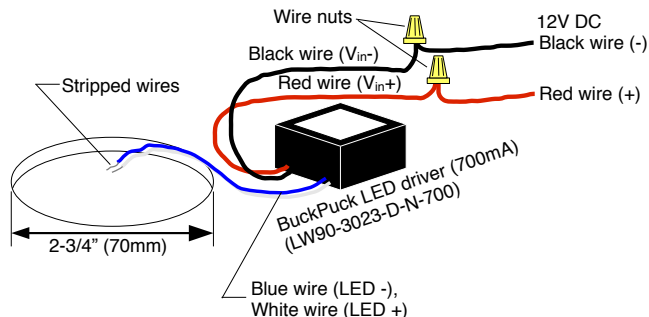
**Warning:** Do not connect Mid-Town™ LED fixture to low-voltage transformer. It will destroy the LEDs instantly! Use only the included LED driver.

The Mid-Town™ LED Recessed Light can be connected in parallel, which enable to control multiple LED units with one switch (Figure 3.)

DO NOT connect The Mid-Town™ LED Recessed Light in series (Figure 4.)

### Installation Procedures with BuckPuck Constant Current LED Driver (optional)

Figure 5



BuckPuck Constant Current LED Driver (700mA version) is compatible with the Mid-Town™ LED recessed light unit. The LED driver takes 12V DC.

1. Make sure that 12V DC power wires are not connected at this time. Make sure that the polarity is correct. (red wire for +, and the black wire for -.)
2. Strip the red and black wires on the LED recessed light.
3. Using a hole cutting device, drill a hole for each fixture where desired using the cutout dimensions shown. (Figure 5)
4. Mount the BuckPuck LED driver in desired location. Make sure that red and black wires on the BuckPuck LED driver are accessible from the hole, from the bottom. (Figure 5)
5. Use twist-on wire connector (wire-nut) to connect:
  - Black BuckPuck LED driver wire to the black 12V DC wire (-)
  - Red BuckPuck LED driver wire to the red 12V DC wire (+)
(Figure 5)
6. From the cavity, use twist-on wire connector (wire-nut) to connect:
  - White LED driver wire to the red wire from LED recessed light
  - Blue LED driver wire to the black wire from LED recessed light
(Figure 6)
7. Insert the LED fixture into the ceiling/cabinet opening by pressing the two side springs up against the body of the LED fixture, inserting the housing into the cavity enough to clear the top edge of the springs, then pressing upward until the springs secure the bottom trim flange against the ceiling. (Figure 6)
8. Restore the electricity (12V DC) to the BuckPuck LED driver (i.e. turn on the switch.)

Figure 6

