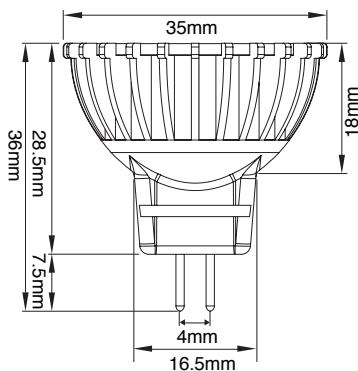


Illum 2.0 MR-11 LED Light Bulb (2.5 Watt)



GZ4.0 / GU4.0 lamp holder

Illum 2.0 MR-11 light bulb uses a high-quality CREE® high-power LED. Suited to replace 20-Watt MR-11 halogen bulbs!

- Energy efficient: 2.5 Watt LED MR-11 light bulb to replace 20W MR-11 halogen bulb
- Uses 82% less wattage than comparable 20 Watt halogen MR-11 halogen bulb
- No UV or IR radiation
- Uses high quality CREE® XLamp® XPG LED
- Low heat operation
- Extremely long life span (average life span: 40'000 hours)

Specifications

| | |
|------------------------------|---|
| Power Consumption | Total: 2.5 Watt max. (average: 2.2 Watt) |
| Comparable bulb | 20 Watt MR-11 halogen bulb (12 Volt) |
| LED Chip | CREE® XLamp® XPG (1 LED) |
| Lumen | Cool white: 154 Lumen Warm white: 123 Lumen |
| Beam Angle | Spot (13°), Wide-spot (18°), Flood (29°), Wide-flood (51°), Very-wide-flood (approx. 95°) |
| Socket Type | GZ4.0 / GU4.0 (EZ10 type available upon request) |
| Color Temperature | Warm white: 2580~3500K Neutral white: 4000~4500K Cool white: 5000~6500K |
| Life Span | 40'000 hours (average) |
| Voltage | 12V DC / AC ¹ |
| Number of LEDs | 1 LED |
| Housing | Aluminum & plastic |
| Operating Temperature | -40 ~ 40°C (-40 ~ +104°F) |

¹Best used with 12V DC transformer. Not compatible with 12V electric low-voltage transformer with minimum wattage. Compatible with magnetic 12V AC transformer. Do not use dimmer with this bulb.

Optical data & part numbers

| Color temp. | Lumen | Beam angle | Candela | SKU |
|-------------------------------|--------|------------------------|---------|----------------------|
| Warm white (2580~3500K) | 123 lm | Spot (13°) | 1338cd | LW10-1001-A3-C6S-W3K |
| | | Wide-spot (18°) | 865cd | LW10-1001-A3-C6B-W3K |
| | | Flood (29°) | 332cd | LW10-1001-A3-C6F-W3K |
| | | Wide-flood (51°) | 165cd | LW10-1001-A3-C6H-W3K |
| | | Very-wide-flood (~95°) | 30cd | LW10-1001-A3-C6G-W3K |
| Neutral white (4000~4500K) | N/A | Spot (13°) | - | LW10-1001-A3-C6S-W4K |
| | | Wide-spot (18°) | - | LW10-1001-A3-C6B-W4K |
| | | Flood (29°) | - | LW10-1001-A3-C6F-W4K |
| | | Wide-flood (51°) | - | LW10-1001-A3-C6H-W4K |
| | | Very-wide-flood (~95°) | - | LW10-1001-A3-C6G-W4K |
| Cool white (5000~6500K) | 154 lm | Spot (13°) | 1593cd | LW10-1001-A3-C6S-W5K |
| | | Wide-spot (18°) | 1068cd | LW10-1001-A3-C6B-W5K |
| | | Flood (29°) | 417cd | LW10-1001-A3-C6F-W5K |
| | | Wide-flood (51°) | 228cd | LW10-1001-A3-C6H-W5K |
| | | Very-wide-flood (~95°) | 36cd | LW10-1001-A3-C6G-W5K |