

## Delphi MR-16 LED Light Bulb 6-Watt (Nichia LEDs)



Delphi LED MR-16 bulb uses five high-power 183BT Nichia LEDs, designed to maximize light output and life span while minimizing power consumption (6 Watt.) They are also designed to last 50,000 hours! CE and RoHS certified.

### Specifications

<b>Power Consumption</b>	Total: 6 Watt
<b>Comparable bulb</b>	50W MR-16 halogen bulb (12V)
<b>LED Chip</b>	Nichia 183BT LEDs
<b>Number of LEDs</b>	5 LEDs
<b>Beam Angle</b>	Medium-flood (approx. 25°), Wide-flood (approx. 40°), Wide (approx. 88°)
<b>Socket Type</b>	GU5.3 (EZ10 type available upon request)
<b>Life Span</b>	50,000 hours (average) <sup>1</sup>
<b>Voltage</b>	12V DC / 12V AC <sup>2</sup>
<b>Housing</b>	Aluminum
<b>Operating Temperature</b>	-40 ~ 40°C (-40 ~ +104°F)

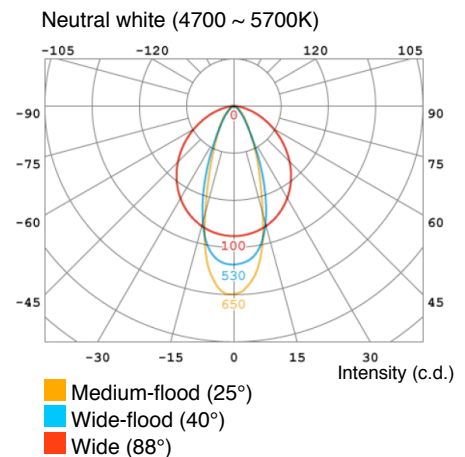
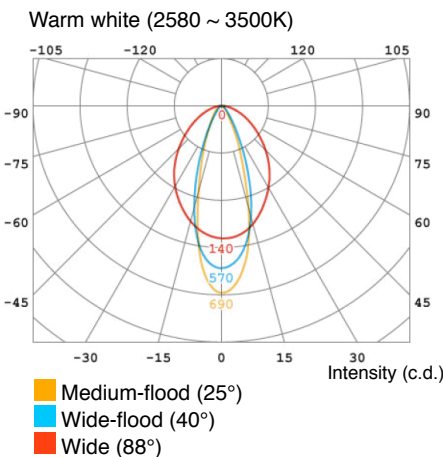
<sup>1</sup>Used in 25°C (77°F) ambient temperature. At 80,000 hours, the LED bulb brightness is at half of the initial light output.

<sup>2</sup>Best used with 12V DC transformer. Not compatible with 12V electric low-voltage transformer with minimum wattage. Compatible with magnetic 12V AC transformer.

### Part numbers & photometric data

Color temp.	Lumen	Min. C.R.I.	Beam angle	Candela	SKU
Warm white (2500~3200K)	276 lm	>80	Medium-flood (25°)	542cd	LW10-2000-A6-N4A-W3K
			Wide-flood (40°)	330cd	LW10-2000-A6-N4C-W3K
			Wide (88°)	102cd	LW10-2000-A6-N4G-W3K
Neutral white (4700~5700K)	355 lm	>70	Medium-flood (25°)	473cd	LW10-2000-A6-N4A-W4K
			Wide-flood (40°)	329cd	LW10-2000-A6-N4C-W4K
			Wide (88°)	107cd	LW10-2000-A6-N4G-W4K

### Polar diagram

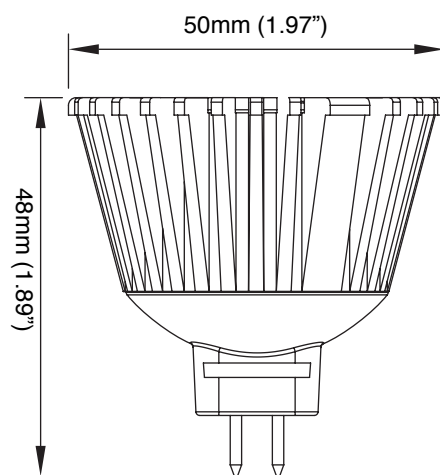


## Delphi MR-16 LED Light Bulb 6-Watt (Nichia LEDs)

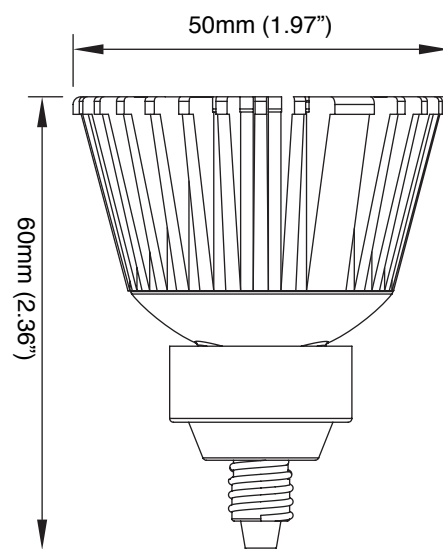
---

### Dimensions

---



GU5.3 lamp base



EZ10 lamp base