

## Remote Controller for 12VDC RGB LED Light



Remote Controller for 12VDC RGB LED Light (LW20-1100-A-DC-CTRLwRC)



RGB Amplifier for 12VDC RGB LED Light (LW20-1100-A-RGB-AMP) (optional, sold separately)



50W 12VDC Power Supply (LW20-1100-A-DC81514) (optional, sold separately)

Remote LED controller for 12V DC RGB light bars and RGB flexible strip light. A DC 12V power supply is required. Press “Mode” button to change the mode. There are 11 different modes.

### Specifications

<b>Voltage</b>	Input: 12V DC (use DC IN jack or terminal) Output: 12V DC (3 channels)
<b>Continuous load capacity</b>	10A (total)
<b>Preset modes</b>	<ol style="list-style-type: none"> <li>1. Static red</li> <li>2. Static green</li> <li>3. Static yellow (red / green)</li> <li>4. Static blue</li> <li>5. Static pink (red / blue)</li> <li>6. Static Cyan (green / blue)</li> <li>7. Static white mix (red / green / blue)</li> <li>8. 3 color step change<sup>1</sup></li> <li>9. 7 color step change<sup>1</sup></li> <li>10. 3 color fade change<sup>1</sup></li> <li>11. 7 color fade change<sup>1</sup></li> </ol> <sup>1</sup> Use “Up” & “Down” buttons to change the speed
<b>Dimensions</b>	5L x 2.5H x 1W
<b>Type of controller</b>	RF wireless remote controller (battery operated)

### Part Numbers

Product	SKU
Remote Controller for 12VDC RGB LED Light	LW20-1100-A-DC-CTRLwRC

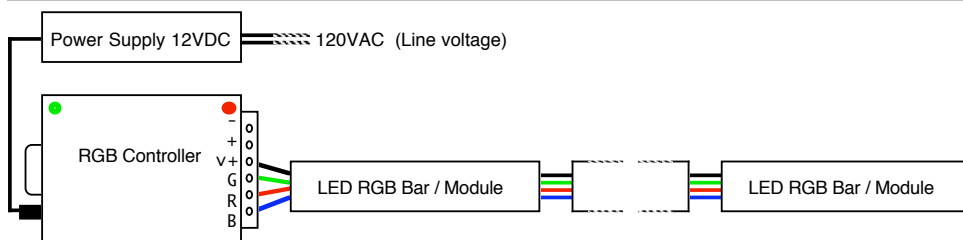
### Compatible LED products (sold separately)

Times Square Cuttable RGB LED Light Bar (22.5" / 57cm)	LW20-1100-A8-G3G-RGB
Times Square Waterproof Flexible Cuttable RGB LED Strip Light (118" / 300cm)	LW20-2100-A44-E3G-RGB

### Accessories (sold separately)

RGB Amplifier for 12VDC RGB LED Light (sold separately)	LW20-1100-A-RGB-AMP
50W 12VDC Power Supply (required, sold separately)	LW20-1100-A-DC81514

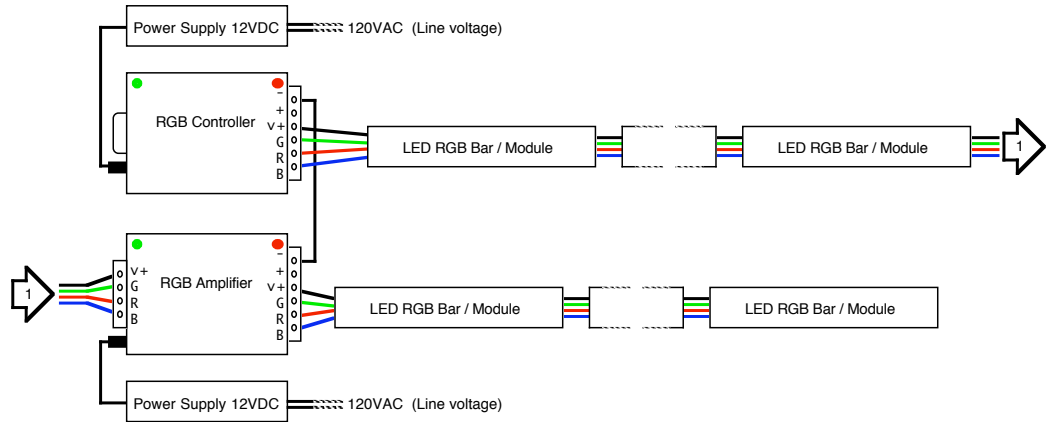
### Connection diagrams



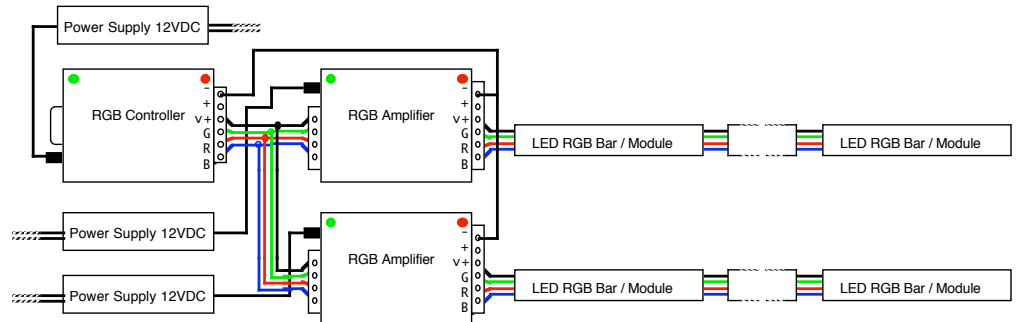
Basic connection

# Remote Controller for 12VDC RGB LED Light

## Connection diagrams (cont.)



With a RGB Amplifier



With multiple RGB Amplifiers