

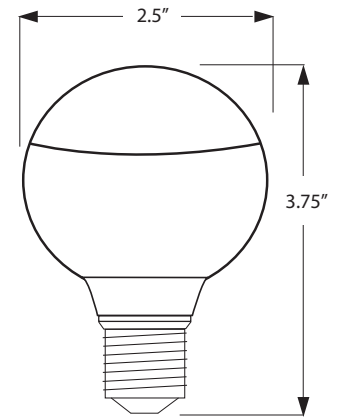
# ARKADI

<i>Wattage</i>	Max lumen output <b>250</b>
<b>5 Watt</b>	



- This 5-Watt LED bulb can replace a 40 Watt halogen light bulb!
- UL, CE and RoHS certified.
- Note: This LED light bulbs is not dimmable. Do not use this LED bulb with a wall dimmer.

<b>Power Consumption</b>	5 Watt
<b>Comparable Bulb</b>	40W incandescent
<b>LED Chip</b>	High-power LEDs
<b>Brightness</b>	250 Lumen
<b>Beam Angle</b>	Similar to incandescent lamp (Approx. 120°)
<b>Bulb / Socket Type</b>	E26 / E27 (medium base)
<b>Color Temperature</b>	Warm white (3000~4000K) Cool white (5000~7000K)
<b>Life Span</b>	Up to 50000 hours
<b>Voltage</b>	100~240VAC
<b>Cover Material</b>	Lens: Acryl
<b>Housing</b>	Alloy aluminum
<b>Operating Temperature</b>	-4°F ~ +104° (-20°C ~ +40°C)



LUX & Spot diameter table (at 100% light output)

Sku #	Color Temp	Beam Spread	Illumination(Lux) / Spot Diameter (Light intensity on the edge: 50%)				
			2m	3m	4m	5m	6m
LW10-2520-C3-G4G-W5K	Cool White (5000~7000K)	Very wide flood (Approx. 120°)	150LUX/ 0.8m	68LUX/1.2m	38LUX/1.6m	25LUX/2.0m	18LUX/2.4m